

**NO MORE
LOST KEYS**

Combination Lock

Convenient and versatile system

The mechanical combination lock from Lowe & Fletcher is a 4-wheel combination lock designed and manufactured in the UK to exacting standards. Available in single-use public mode, private mode and wet area versions, this lock features up to 10,000 unique combinations.

The innovative code finding function allows emergency access in the event of lost or forgotten codes. Furthermore, a simple button allows the user to set their own pin code and change it whilst the lock is open.

For added security this lock is available with an optional 'twist resist' feature. Fitted with pan head screws, the lock offers increased resistance to forced entry as features on the rear of the lock locate in corresponding holes in the door.

The high-quality powder coated finish ensures maximum protection, whilst the Xylan finish ensures corrosion resistance in chlorinated environments. With a robust design, range of options and simplicity of use, this combination lock is suitable for a broad range of applications including lockers, office furniture, and personal storage.

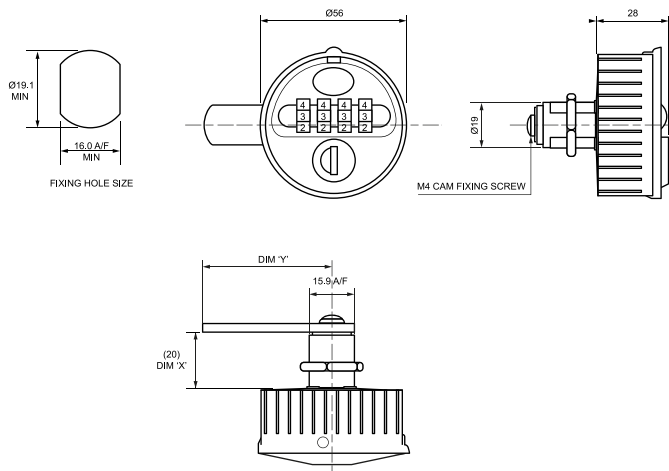


Public Mode Version

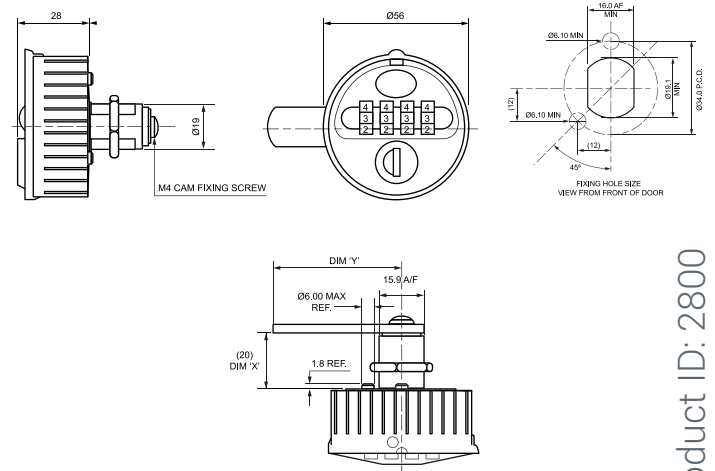
Combination Lock

Locking systems for industry

Standard Fit



Twist Resist



Product ID: 2800

Standard Features

- ✓ Public and private mode versions available
- ✓ Left- and right-hand versions available
- ✓ Standard (2800) or corrosion resistant (2810) versions available
- ✓ Standard fit or twist resist versions available
- ✓ 4 Wheel combination (10,000 Codes)
- ✓ Code finding feature (10 Disc barrel with shutter cap)
- ✓ Code changing function – only accessible in the un-locked position
- ✓ Zinc die-cast construction
- ✓ Powder coated or Xylan finish (corrosion resistant)
- ✓ Body – black as standard
- ✓ Powder coated face – white, silver or black as standard
- ✓ Xylan finish – face black as standard
- ✓ Diameter – 56 x 28mm (protrudes from door frame)
- ✓ Nut fixing – 3/4" - 27 UN x 20mm long (15.9mm A/F)
- ✓ Cam fixing – 8mm Sq. with M4 thread
- ✓ Epoxy logo badge (customer logo available on request)
- ✓ Standard with countersunk screws
- ✓ Twist resist with pan head screws



Low e & Fletcher Ltd (UK)
E: sales@lowe-and-fletcher.co.uk
T: +44 (0) 121 505 0400
W: www.lowe-and-fletcher.co.uk

Low e & Fletcher Inc (USA)
E: sales@loweandfletcherinc.com
T: +1 (616) 994 0490
W: www.loweandfletcherinc.com



Euro-Locks SA NV (Belgium)
E: sales@euro-locks.be
T: +32 61 212.261
W: www.euro-locks.be

Euro-Locks SA (France)
E: euro-locks@euro-locks.fr
T: +33 (0)3.87.92.61.11
W: www.euro-locks.fr

Euro-Locks Sicherheitseinrichtungen GmbH (Germany)
E: vertrieb@euro-locks.de
T: +49 (0) 6897 9072 0
W: www.euro-locks.de

Euro-Locks Sp. z o. o. (Poland)
E: sekretariat@euro-locks.pl
T: +48 (32) 344-78-70, -82, -84
W: www.euro-locks.pl