



# ECHO

powered by Capture Technology



**LOWE & FLETCHER**  
LOCKING SYSTEMS FOR INDUSTRY



**EURO-LOCKS**  
LOCKING SYSTEMS FOR INDUSTRY



## ECHO Lock is totally unique, yet you already hold the key.



Meet ECHO, the first battery-less NFC-powered locker solution. Unlock and lock with just a tap of your smartphone—no keys, no batteries, no maintenance. The eco-friendly future of locker management is here.

A groundbreaking innovation, ECHO uses NFC technology to harvest the tiny amount of energy it needs to lock and unlock the locker. **It's not just evolutionary—it's revolutionary.** By eliminating the need for traditional power sources, ECHO delivers an eco-friendly, hassle-free locking experience, reducing energy consumption and environmental impact.

Available in three flexible operating modes – Private Mode, Public Mode and Registered Public Mode - the ECHO lock is configured and controlled using the ECHO Mobile App (available on both iOS and Android platforms).

For larger businesses or those that require more control, the ECHO lock can be administered through the Web Portal (Standard or Pro version available).

Applications for this innovative lock are endless and include workspace storage, asset management, tourist attractions, transport hubs and sports clubs to name but a few.

Experience ECHO for yourself. Simplicity, sustainability, and security—redefined.

### At a glance:

- ✓ Battery-free
- ✓ Wire-free
- ✓ Power-free
- ✓ Powered by Near Field Communication (NFC) Technology
- ✓ ECHO App available on iOS and Android platforms
- ✓ Multiple user options: Administrator, User, and Shared Access
- ✓ Key override as standard

Product ID: 3450

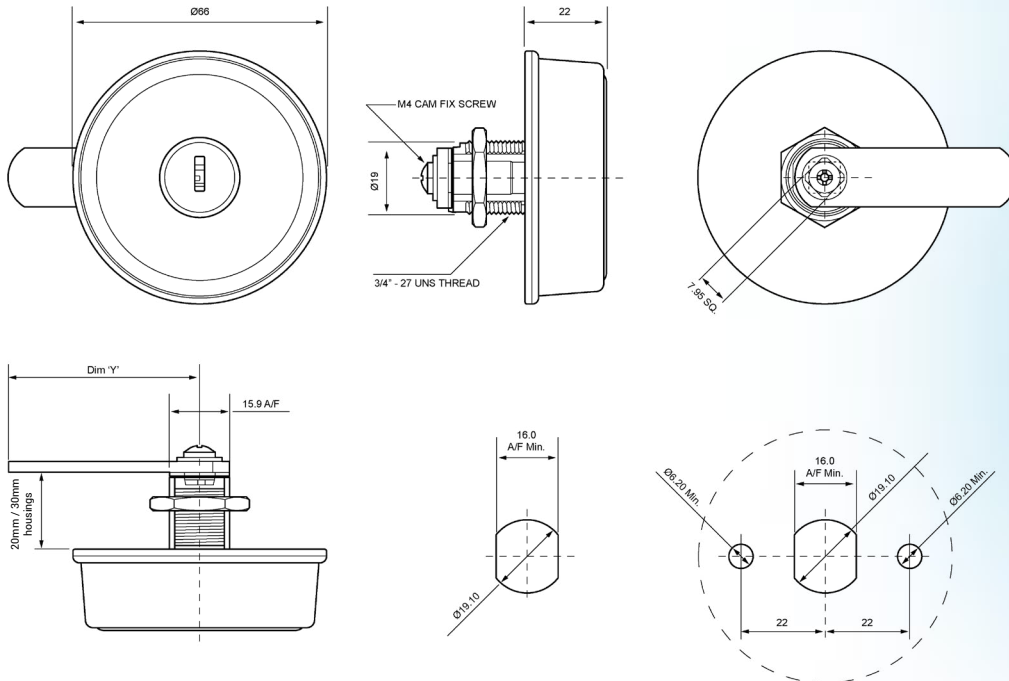
# ECHO Lock



Interested? Scan the QR Code to find out more

## Standard Features

- ✓ Compatible with iOS 14 to 18. Android 10 to 15.
- ✓ User modes: Private mode, public mode and registered public mode
- ✓ Fixing options: LH or RH operation - customer to decide when fitting (stop plate supplied)
- ✓ Lock movement: 90° rotation for open/close
- ✓ Standard finish: Black, custom colours available on request (MOQ applies)
- ✓ Customisable logo area for customer logo application
- ✓ IP4X rated - not for wet areas / applications
- ✓ Temperature rating: -8°C to +50 °C
- ✓ Housing length: 20mm and 30mm housing length available to suit door thicknesses up to 32mm (additional accessories may apply)
- ✓ Fitting options: Standard or twist resist versions available
- ✓ Non shuttered 10-disc barrel with steel override key
- ✓ Zinc diecast construction housing
- ✓ Housing fixing: Nut fixing 3/4" -27UNS thread
- ✓ Cam fixing: 8mm SQ. with M4 thread
- ✓ Range of cam offsets to suit application



### Lowe & Fletcher Ltd (UK)

E: sales@lowe-and-fletcher.co.uk

T: +44 (0) 121 505 0400

### Lowe & Fletcher Inc (USA)

E: sales@loweandfletcherinc.com

T: +1 (616) 994 0490

### Euro-Locks SA NV (Belgium)

E: sales@euro-locks.be

T: +32 61 212.261

### Euro-Locks SA (France)

E: euro-locks@euro-locks.fr

T: +33 (0)3.87.92.61.11

### Euro-Locks Sicherheitseinrichtungen GmbH (Germany)

E: vertrieb@euro-locks.de

T: +49 (0) 6897 9072 0

### Euro-Locks Sp. z o. o. (Poland)

E: sekretariat@euro-locks.pl

T: +48 (32) 344-78-70, -82, -84

